

M16系列 M16 SERIE

产品符合IEC 61076-2-106-2012 AISG标准
Products comply with IEC 61076-2-106-2012 AISG Standard

大部分连接器360°极佳全屏蔽
Most connectors are excellent for full shielding at 360 degrees

插头：组装式，注塑带电缆式（长度可任意定制）
Plug: assembly, overmolded cable type (length can be customized at will)

插座：板前安装、板后安装焊线及PCB板式
Socket: Front Mount Solder Type, Back Mount Solder Type and PCB board type


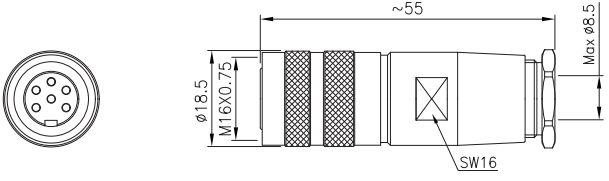

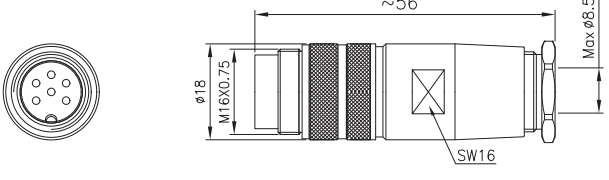

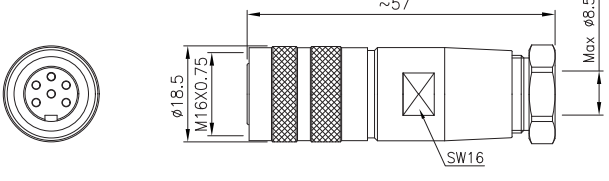

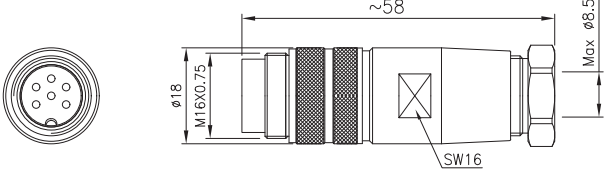

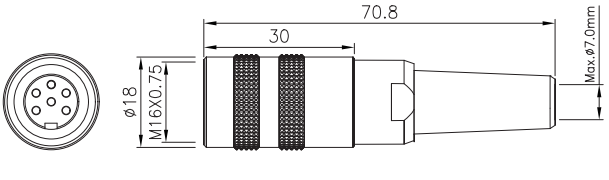

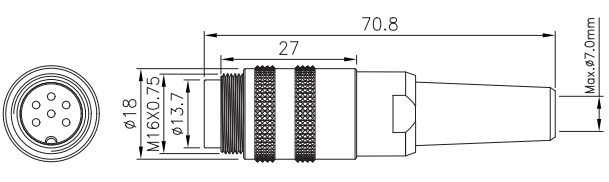

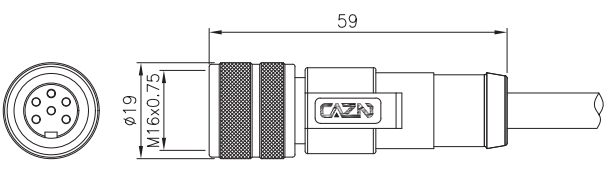

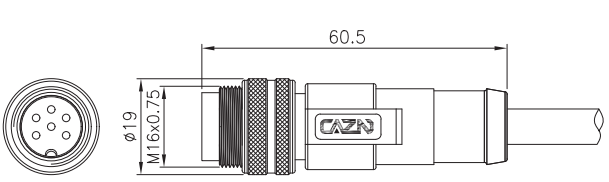
防水等级：IP65、IP67
Waterproof grade: IP65、IP67


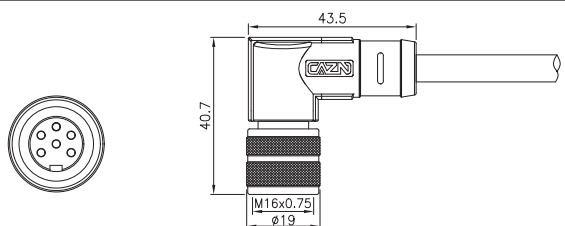

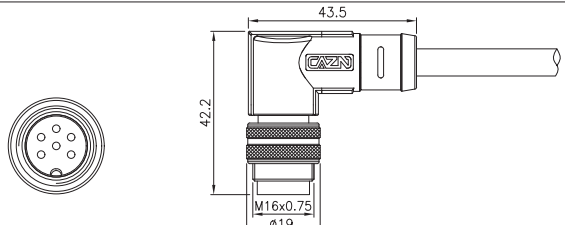

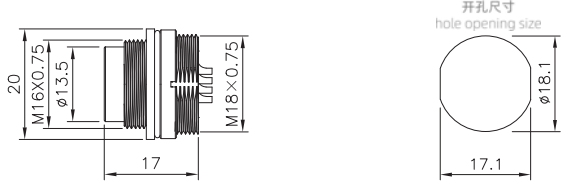

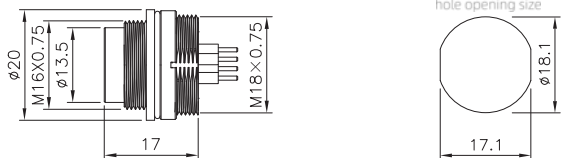





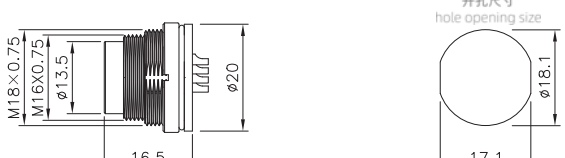

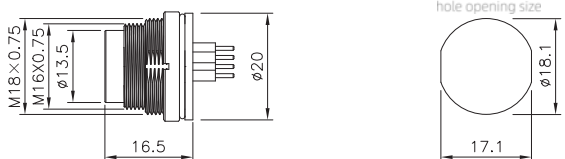
产品芯数：2~24芯
Pins Number: 2-24 pins



产品参数 PRODUCT PARAMETERS

壳体材料 Shell material	黄铜/锌合金度镍/黄铜镀镍 Brass/Zinc alloy nickel/Brass nickel plated	接触阻抗 Contact impedance	≤5mΩ
密封材料 Sealing material	环氧树脂/橡胶 Epoxy resin/Rubber	插拔次数 Durability	≥500次(Cycles)
插针材料 Contact material	黄铜/磷铜镀金 Brass/Phosphorus copper gold-plated	接线范围 Wiring range	PG7:4~6mm; PG9:6~8mm
胶芯材料 Insulator material	PA66	适用温度 Applicable temperature	-25°C ~ +80°C
成型材料 Molding material	TPU/PVC		

产品图 PRODUCT FIGURE	名称/类型号 NAME/TYPE No.	尺寸图 DIMENSIONS				
	<p>直式孔型金属插头 焊接式 M16 Straight Female Metal Plug (Solder)</p> <p>160001-19 0 0 00000</p> <table border="1"> <tr> <td>PG7: No. 160001</td> <td>2 3 4 5 6 7 8 12 14 16 19 24 A: 5 7 14</td> <td>1-PVC 2-PUR 3-TPU 4-RU 5-PTFE</td> <td>L (mm)</td> </tr> </table>	PG7: No. 160001	2 3 4 5 6 7 8 12 14 16 19 24 A: 5 7 14	1-PVC 2-PUR 3-TPU 4-RU 5-PTFE	L (mm)	 <p>~55 Max. ϕ8.5 ϕ18.5 M16X0.75 SW16</p>
PG7: No. 160001	2 3 4 5 6 7 8 12 14 16 19 24 A: 5 7 14	1-PVC 2-PUR 3-TPU 4-RU 5-PTFE	L (mm)			
	<p>直式孔型金属插头 焊接式 M16 Straight Male Metal Plug (Solder)</p> <p>160003-19 0 0 00000</p> <table border="1"> <tr> <td>PG7: No. 160003 PG9: No. 160004</td> <td>2 3 4 5 6 7 8 12 14 16 19 24 A: 5 7 14</td> <td>1-PVC 2-PUR 3-TPU 4-RU 5-PTFE</td> <td>L (mm)</td> </tr> </table>	PG7: No. 160003 PG9: No. 160004	2 3 4 5 6 7 8 12 14 16 19 24 A: 5 7 14	1-PVC 2-PUR 3-TPU 4-RU 5-PTFE	L (mm)	 <p>~56 Max. ϕ8.5 ϕ18 M16X0.75 SW16</p>
PG7: No. 160003 PG9: No. 160004	2 3 4 5 6 7 8 12 14 16 19 24 A: 5 7 14	1-PVC 2-PUR 3-TPU 4-RU 5-PTFE	L (mm)			
	<p>直式孔型金属插头 压接式 M16 Straight Female Metal Plug (Crimp)</p> <p>160005-08 0 0 00000</p> <table border="1"> <tr> <td>PG7: No. 160005 PG9: No. 160006</td> <td>2 3 4 5 6 7 8 12 14 16 19 24 A: 5 7 14</td> <td>1-PVC 2-PUR 3-TPU 4-RU 5-PTFE</td> <td>L (mm)</td> </tr> </table>	PG7: No. 160005 PG9: No. 160006	2 3 4 5 6 7 8 12 14 16 19 24 A: 5 7 14	1-PVC 2-PUR 3-TPU 4-RU 5-PTFE	L (mm)	 <p>~57 Max. ϕ8.5 ϕ18.5 M16X0.75 SW16</p>
PG7: No. 160005 PG9: No. 160006	2 3 4 5 6 7 8 12 14 16 19 24 A: 5 7 14	1-PVC 2-PUR 3-TPU 4-RU 5-PTFE	L (mm)			
	<p>直式针型金属插头 压接式 M16 Straight Male Metal Plug (Crimp)</p> <p>160007-08 0 0 00000</p> <table border="1"> <tr> <td>PG7: No. 160007 PG9: No. 160008</td> <td>2 3 4 5 6 7 8 12 14 16 19 24 A: 5 7 14</td> <td>1-PVC 2-PUR 3-TPU 4-RU 5-PTFE</td> <td>L (mm)</td> </tr> </table>	PG7: No. 160007 PG9: No. 160008	2 3 4 5 6 7 8 12 14 16 19 24 A: 5 7 14	1-PVC 2-PUR 3-TPU 4-RU 5-PTFE	L (mm)	 <p>~58 Max. ϕ8.5 ϕ18 M16X0.75 SW16</p>
PG7: No. 160007 PG9: No. 160008	2 3 4 5 6 7 8 12 14 16 19 24 A: 5 7 14	1-PVC 2-PUR 3-TPU 4-RU 5-PTFE	L (mm)			
	<p>直式孔型塑胶插头 焊接式 尾管 M16 Straight Female Plug (Solder, Plastic tube)</p> <p>160009-05 0 0 00000</p> <table border="1"> <tr> <td>No. 160009</td> <td>2 3 4 5 6 7 8 12 14 16 19 24 A: 5 7 14</td> <td>1-PVC 2-PUR 3-TPU 4-RU 5-PTFE</td> <td>L (mm)</td> </tr> </table>	No. 160009	2 3 4 5 6 7 8 12 14 16 19 24 A: 5 7 14	1-PVC 2-PUR 3-TPU 4-RU 5-PTFE	L (mm)	 <p>70.8 Max. ϕ7.0mm ϕ18 M16X0.75 30</p>
No. 160009	2 3 4 5 6 7 8 12 14 16 19 24 A: 5 7 14	1-PVC 2-PUR 3-TPU 4-RU 5-PTFE	L (mm)			
	<p>直式针型塑胶插头 焊接式 尾管 M16 Straight Male Plug (Solder, Plastic tube)</p> <p>160010-05 0 0 00000</p> <table border="1"> <tr> <td>No. 160010</td> <td>2 3 4 5 6 7 8 12 14 16 19 24 A: 5 7 14</td> <td>1-PVC 2-PUR 3-TPU 4-RU 5-PTFE</td> <td>L (mm)</td> </tr> </table>	No. 160010	2 3 4 5 6 7 8 12 14 16 19 24 A: 5 7 14	1-PVC 2-PUR 3-TPU 4-RU 5-PTFE	L (mm)	 <p>70.8 Max. ϕ7.0mm ϕ18 M16X0.75 27 ϕ13.7</p>
No. 160010	2 3 4 5 6 7 8 12 14 16 19 24 A: 5 7 14	1-PVC 2-PUR 3-TPU 4-RU 5-PTFE	L (mm)			
<p>非屏蔽款/Unshielded 屏蔽款/Shielded</p> 	<p>直式孔型成型插头 M16 Straight Female overmolded plug</p> <p>160011-05 0 0 00000</p> <table border="1"> <tr> <td>UNS: No. 160011 SHD: No. 160012</td> <td>2 3 4 5 6 7 8 12 14 16 19 24 A: 5 7 14</td> <td>1-PVC 2-PUR 3-TPU 4-RU 5-PTFE</td> <td>L (mm)</td> </tr> </table>	UNS: No. 160011 SHD: No. 160012	2 3 4 5 6 7 8 12 14 16 19 24 A: 5 7 14	1-PVC 2-PUR 3-TPU 4-RU 5-PTFE	L (mm)	 <p>59 Max. ϕ7.0mm ϕ19 M16x0.75 CAZM</p>
UNS: No. 160011 SHD: No. 160012	2 3 4 5 6 7 8 12 14 16 19 24 A: 5 7 14	1-PVC 2-PUR 3-TPU 4-RU 5-PTFE	L (mm)			
<p>非屏蔽款/Unshielded 屏蔽款/Shielded</p> 	<p>直式针型成型插头 M16 Straight Male overmolded plug</p> <p>160013-05 0 0 00000</p> <table border="1"> <tr> <td>UNS: No. 160013 SHD: No. 160014</td> <td>2 3 4 5 6 7 8 12 14 16 19 24 A: 5 7 14</td> <td>1-PVC 2-PUR 3-TPU 4-RU 5-PTFE</td> <td>L (mm)</td> </tr> </table>	UNS: No. 160013 SHD: No. 160014	2 3 4 5 6 7 8 12 14 16 19 24 A: 5 7 14	1-PVC 2-PUR 3-TPU 4-RU 5-PTFE	L (mm)	 <p>60.5 Max. ϕ7.0mm ϕ19 M16x0.75 CAZM</p>
UNS: No. 160013 SHD: No. 160014	2 3 4 5 6 7 8 12 14 16 19 24 A: 5 7 14	1-PVC 2-PUR 3-TPU 4-RU 5-PTFE	L (mm)			

产品图 PRODUCT FIGURE	名称/类型号 NAME/TYP E No.	尺寸图 DIMENSIONS
 <p>非屏蔽款/Unshielded 屏蔽款/Shielded</p>	<p>弯式孔型成型插头 M16 Angled Female overmolded plug</p> <p>160015-02 0 0 00000</p> <p>UNS: No. 160015 SHD: No. 160016</p> <p>2 3 4 5 6 7 8 12 14 16 19 24 A: 5 7 14</p> <p>1-PVC 2-PUR 3-TPU 4-RU 5-PTFE</p> <p>L(mm)</p>	
 <p>非屏蔽款/Unshielded 屏蔽款/Shielded</p>	<p>弯式针型成型插头 M16 Angled Male overmolded plug</p> <p>160017-19 0 0 00000</p> <p>UNS: No. 160017 SHD: No. 160018</p> <p>2 3 4 5 6 7 8 12 14 16 19 24 A: 5 7 14</p> <p>1-PVC 2-PUR 3-TPU 4-RU 5-PTFE</p> <p>L(mm)</p>	
	<p>板前安装针型插座 焊接式 螺牙M18*0.75 M16 Male Front Mount Socket (Solder, Screw M18*0.75)</p> <p>160019-02 0 0 00000</p> <p>No. 160019</p> <p>2 3 4 5 6 7 8 12 14 16 19 24 A: 5 7 14</p> <p>1-PVC 2-PUR 3-TPU 4-RU 5-PTFE</p> <p>L(mm)</p>	
	<p>板前安装针型插座 PCB式 螺牙M18*0.75 M16 Male Front Mount Socket (PCB, Screw M18*0.75)</p> <p>160020-04 0 0 00000</p> <p>No. 160020</p> <p>2 3 4 5 6 7 8 12 14 16 19 24 A: 5 7 14</p> <p>线材</p> <p>L(mm)</p>	
	<p>板前安装孔型插座 焊接式 螺牙M18*0.75 M16 Male Front Mount Socket (PCB, Screw M18*0.75)</p> <p>160021-02 0 0 00000</p> <p>No. 160021</p> <p>2 3 4 5 6 7 8 12 14 16 19 24 A: 5 7 14</p> <p>1-PVC 2-PUR 3-TPU 4-RU 5-PTFE</p> <p>L(mm)</p>	
	<p>板前安装孔型插座 PCB式 螺牙M18*0.75 M16 Female Front Mount Socket (PCB, Screw M18*0.75)</p> <p>160022-04 0 0 00000</p> <p>No. 160022</p> <p>2 3 4 5 6 7 8 12 14 16 19 24 A: 5 7 14</p> <p>线材</p> <p>L(mm)</p>	
	<p>板后安装针型插座 焊接式 螺牙M18*0.75 M16 Male Back Mount Socket (Solder, Screw M18*0.75)</p> <p>160023-12 0 0 00000</p> <p>No. 160023</p> <p>2 3 4 5 6 7 8 12 14 16 19 24 A: 5 7 14</p> <p>1-PVC 2-PUR 3-TPU 4-RU 5-PTFE</p> <p>L(mm)</p>	
	<p>板后安装针型插座 PCB式 螺牙M18*0.75 M16 Male Back Mount Socket (PCB, Screw M18*0.75)</p> <p>160024-19 0 0 00000</p> <p>No. 160024</p> <p>2 3 4 5 6 7 8 12 14 16 19 24 A: 5 7 14</p> <p>线材</p> <p>L(mm)</p>	

产品图 PRODUCT FIGURE	名称/类型号 NAME/TYPE No.	尺寸图 DIMENSIONS
	板后安装孔型插座 焊接式 螺牙M18*0.75 M16 Female Back Mount Socket (Solder, Screw M18*0.75) 160025-02 0 0 00000 No. 160025 2 3 4 5 6 7 8 1-PVC 12 14 16 19 24 2-PUR A: 5 7 14 3-TPU 4-RU 5-PTFE L(mm)	 M18x0.75, M16x0.75, 13, 17.1, 18.1, 20
	板后安装孔型插座 PCB式 螺牙M18*0.75 M16 Female Back Mount Socket (PCB, Screw M18*0.75) 160026-03 0 0 00000 No. 160026 2 3 4 5 6 7 8 线材 12 14 16 19 24 L(mm) A: 5 7 14	 M18x0.75, M16x0.75, 13, 17.1, 18.1, 20
	方形针型插座 焊接式 安装孔20x20 M16 Male Square Socket (Solder type) 20*20 160027-05 0 0 00000 No. 160027 2 3 4 5 6 7 8 1-PVC 12 14 16 19 24 2-PUR A: 5 7 14 3-TPU 4-RU 5-PTFE L(mm)	 M16x0.75, 13.5, 17, 18, 20, 26, 26, R3, 4-φ3.2
	方形孔型插座 焊接式 安装孔20x20 M16 Female Square Socket (Solder type) 20*20 160028-05 0 0 00000 No. 160028 2 3 4 5 6 7 8 1-PVC 12 14 16 19 24 2-PUR A: 5 7 14 3-TPU 4-RU 5-PTFE L(mm)	 M16x0.75, 14.2, 18, 20, 26, 26, R3, 4-φ3.2

M16·防尘盖 M16 DUST COVER

M16 塑胶防尘盖 内牙 M16 Plastic Dust Cover (Inner screw)		M16 金属防尘盖 内牙 M16 Metal Dust Cover (Inner screw)	
环内直径 Ring inner diameter	订货号 No.	环内直径 Ring inner diameter	订货号 No.
	φ 3mm 160029-000000001		φ 3mm 160031-000000001
	φ 18mm 160029-000000002		φ 18mm 160031-000000002
M16 塑胶防尘盖 外牙 M16 Plastic Dust Cover (Outer screw)		M16 金属防尘盖 外牙 M16 Metal Dust Cover (Outer screw)	
环内直径 Ring inner diameter	订货号 No.	环内直径 Ring inner diameter	订货号 No.
	φ 3mm 160030-000000001		φ 3mm 160032-000000001
	φ 18mm 160030-000000002		φ 18mm 160032-000000002

M16·配件 M16 ACCESSORIES

M16 螺母扳手 M16 Nut wrench		
	半圆型/Semicircle: No. 160033-000000001	
		铁片式/Iron sheet type: No. 160033-000000003
		圆型/Round style: No. 160033-000000002

M16·PCB芯位图 M16 PCB PINS ARRANGEMENT

芯数 Pins	2P	3P	4P	5P	6P	7P	8P	12P
针型 Male								
	14P	16P	19P	24P	5A	7A	14A	
芯数 Pins	2P	3P	4P	5P	6P	7P	8P	12P
孔型 Female								
	14P	16P	19P	24P	5A	7A	14A	

M16·电气参数 M16 ELECTRICAL PARAMETERS

芯数 Pins	针型 Male		额定电流 Rated current	额定电压 Rated voltage		导体规格 Conductor size		孔型 Female	
	常规编码 General coding	A型 A-code		A/C	D/C	AWG	mm ²	常规编码 General coding	A型 A-code
2			7A	250V	32V	20	0.75		
3			7A	250V	32V	20	0.75		
4			6A	250V	32V	20	0.75		
5			6A	250V	32V	20	0.75		
6			5A	250V	32V	20	0.75		
7			5A	125V	32V	20	0.75		
8			5A	60V	32V	20	0.75		
12			3A	60V	32V	24	0.25		
14			3A	60V	32V	24	0.25		
16			3A	60V	32V	24	0.25		
19			3A	60V	32V	24	0.25		
24			1A	60V	32V	26	0.14		