

M5系列 M5 SERIE

产品芯数：3、4芯

Pins number: 3-4 pins

插头：带电缆长度可任意定制

Plug: The length of cable can be customized

插座：板前安装 板后安装焊线及PCB板式

Socket: Front Mount Solder Type, Back Mount Solder Type and PCB board type

防水等级：IP65 IP67

Waterproof grade: IP65 IP67


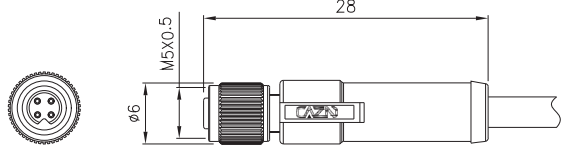

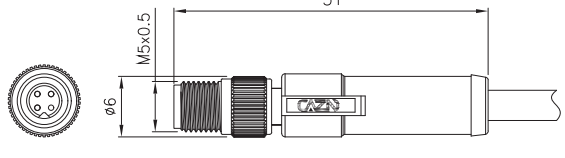

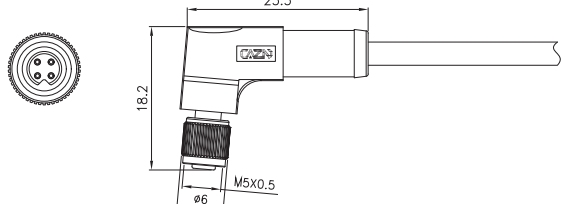

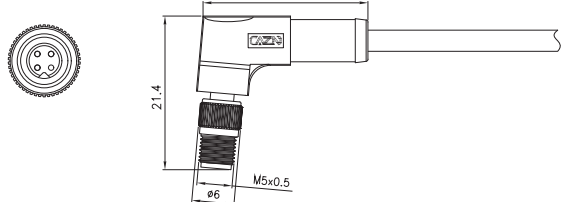

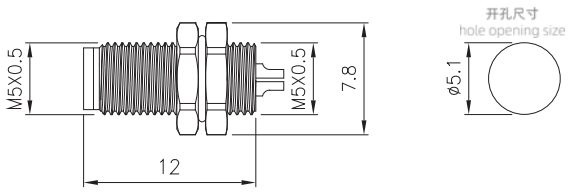

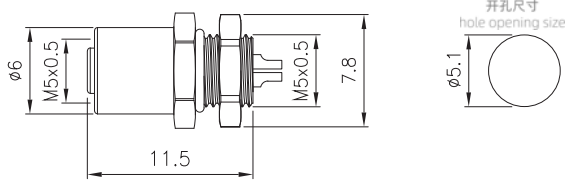

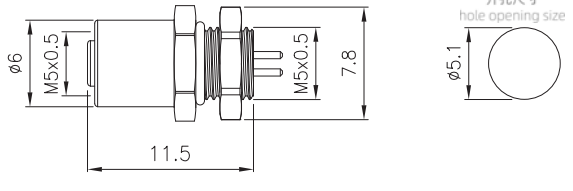

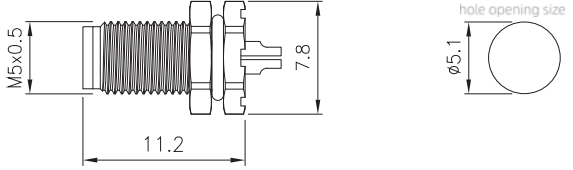
产品符合IEC 61076-2-105标准


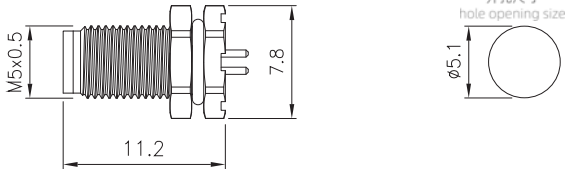

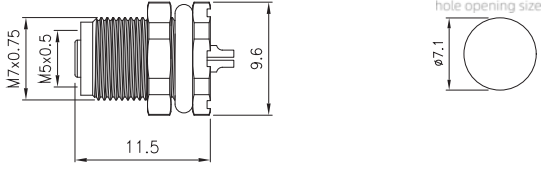

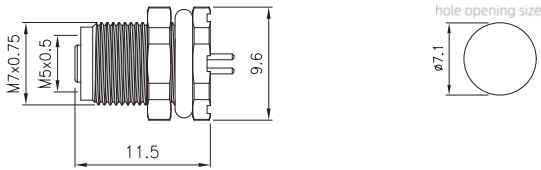
The products comply with IEC 61076-2-105 standard




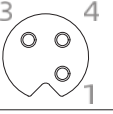
产品参数 PRODUCT PARAMETERS

壳体材料 Shell material	黄铜镀镍 Brass nickel plated	接触阻抗 Contact impedance	$\leq 3m\Omega$
密封材料 Sealing material	环氧树脂/橡胶 Epoxy resin/Rubber	插拔次数 Durability	≥ 500 次(Cycles)
插针材料 Contact material	磷铜镀金/黄铜镀金 Phosphorus copper gold-plated/Brass copper gold-plated	绝缘阻抗 Insulation impedance	$\geq 100M\Omega$
胶芯材料 Insulator material	PA66	适用温度 Applicable temperature	$-25^{\circ}C \sim +85^{\circ}C$
成型材料 Molding material	TPU/PVC		

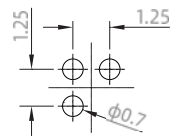
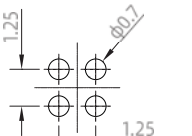
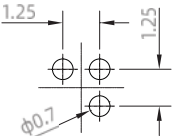
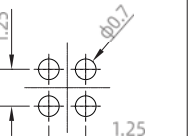
产品图 PRODUCT FIGURE	名称/类型号 NAME/TYPE No.	尺寸图 DIMENSIONS
 <p>非屏蔽款/Unshielded 屏蔽款/Shielded</p>	<p>直式孔型成型插头 M5 Straight Female overmolded plug</p> <p>050001-04 0 0 00000</p> <p>UNS: No. 050001 SHD: No. 050002</p> <p>3 4</p> <p>1-PVC 2-PUR 3-TPU 4-RU 5-PTFE</p> <p>L(mm)</p>	
 <p>非屏蔽款/Unshielded 屏蔽款/Shielded</p>	<p>直式针型成型插头 M5 Straight Male overmolded plug</p> <p>050003-04 0 0 00000</p> <p>UNS: No. 050003 SHD: No. 050004</p> <p>3 4</p> <p>1-PVC 2-PUR 3-TPU 4-RU 5-PTFE</p> <p>L(mm)</p>	
 <p>非屏蔽款/Unshielded 屏蔽款/Shielded</p>	<p>弯式孔型成型插头 M5 Angled Female overmolded plug</p> <p>050005-04 0 0 00000</p> <p>UNS: No. 050005 SHD: No. 050006</p> <p>3 4</p> <p>1-PVC 2-PUR 3-TPU 4-RU 5-PTFE</p> <p>L(mm)</p>	
 <p>非屏蔽款/Unshielded 屏蔽款/Shielded</p>	<p>弯式针型成型插头 M5 Angled Male overmolded plug</p> <p>050007-04 0 0 00000</p> <p>UNS: No. 050007 SHD: No. 050008</p> <p>3 4</p> <p>1-PVC 2-PUR 3-TPU 4-RU 5-PTFE</p> <p>L(mm)</p>	
 <p>非屏蔽款/Unshielded 屏蔽款/Shielded</p>	<p>板前安装针型插座 焊线式 螺牙M5x0.5 M5 Male Front Mount Socket (Solder, Screw M5*0.5)</p> <p>050009-03 0 0 00000</p> <p>No. 050009</p> <p>3 4</p> <p>1-PVC 2-PUR 3-TPU 4-RU 5-PTFE</p> <p>L(mm)</p>	
 <p>非屏蔽款/Unshielded 屏蔽款/Shielded</p>	<p>板前安装孔型插座 焊线式 M5 Female Front Mount Socket (Solder)</p> <p>050011-04 0 0 00000</p> <p>No. 050011</p> <p>3 4</p> <p>1-PVC 2-PUR 3-TPU 4-RU 5-PTFE</p> <p>L(mm)</p>	
 <p>非屏蔽款/Unshielded 屏蔽款/Shielded</p>	<p>板前安装孔型插座 PCB式 M5 Female Front Mount Socket (PCB)</p> <p>050012-04 0 0 00000</p> <p>No. 050012</p> <p>3 4</p> <p>线材</p> <p>L(mm)</p>	
 <p>非屏蔽款/Unshielded 屏蔽款/Shielded</p>	<p>板后安装针型插座 焊线式 M5 Male Back Mount Socket (Solder)</p> <p>050013-04 0 0 00000</p> <p>No. 050013</p> <p>3 4</p> <p>1-PVC 2-PUR 3-TPU 4-RU 5-PTFE</p> <p>L(mm)</p>	

产品图 PRODUCT FIGURE	名称/型号 NAME/TYPE No.	尺寸图 DIMENSIONS
	<p>板后安装针型插座 PCB式 M5 Male Back Mount Socket (PCB)</p> <p>050014-03 0 0 00000</p> <p>No. 050014 3 4 线材 L (mm)</p>	
	<p>板后安装孔型插座 焊线式 M5 Female Back Mount Socket (Solder)</p> <p>050015-04 0 0 00000</p> <p>No. 050015 3 4 1-PVC 2-PUJ 3-TPU 4-RU 5-PTFE L (mm)</p>	
	<p>板后安装孔型插座 PCB式 M5 Female Back Mount Socket (PCB)</p> <p>050016-03 0 0 00000</p> <p>No. 050016 3 4 线材 L (mm)</p>	





M5·电气参数 M5 ELECTRICAL PARAMETERS





芯数 Pins	针型 Male	额定电流 Rated current	额定电压 Rated voltage		导体规格 Conductor size		孔型 Female
			A/C	D/C	AWG	mm ²	
3		1A	60V	60V	26	0.14	
4		1A	60V	60V	26	0.14	

M5·PCB芯位图 M5 PCB PINS ARRANGEMENT

芯数 Pins	3	4	芯数 Pins	3	4
针型 Male			孔型 Female		

M5·接线定义 M5 WIRE DEFINITION

芯位 Pins	线芯颜色 Wire core color	
3芯(Pins)		
1	BN	
2	-	
3	BU	
4	BK	

芯位 Pins	线芯颜色 Wire core color	
4芯(Pins)		
1	BN	
2	WH	
3	BU	
4	BK	

*接线定义按常规标准，
如按协议或者其他请联系我司业务。
Wiring definition according to conventional standards,
if according to the agreement or other please contact our sales.